

Glenfield

Water engineers to the world

Series 756 PN 16 Integral Seat, Resilient Seal Butterfly Valves, 700mm and above

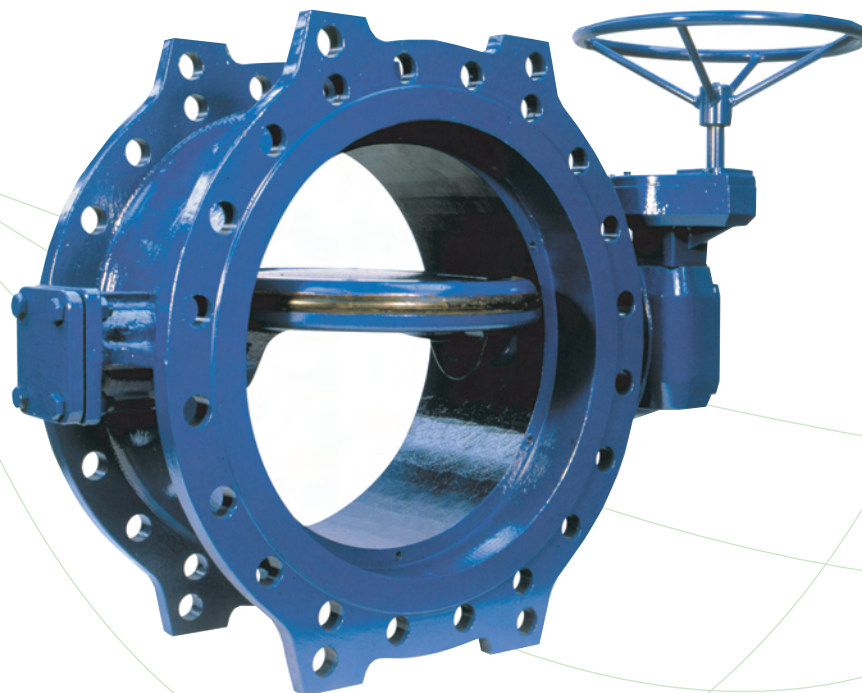
Use
For water and neutral liquids to max. 70°C

Tests
Hydraulic tests: Seat: 1.1 x PN Body: 1.5 x PN

Optional Extras
Electric Actuation Lockable Disk
PN10 & PN25 Version Optional

Applicable Standards
Standards: BS EN 593 (exBS5155)
Flanges and drilling to BS EN 1092-2:PN16
Face to Face: BS EN 558 Series 13 and 14

Materials of Construction	
Description	Material
Body	Ductile Iron BS EN 1563 Gr.500/7
Door	Ductile Iron BS EN 1563 Gr.500/7
Retaining Ring	Ductile Iron BS EN 1563 Gr.500/7
End Plate	Carbon Steel BS 4360 Gr 43A
Main Shaft	Stainless Steel BS EN 10088 Gr 1.4057
Stub Shaft	Stainless Steel BS EN 10088 Gr 1.4057
Bushes	Glacier DU(B)
Seal Housing	Gunmetal BS EN 1982 CC491K
Key	Key Steel BS 4235
Resilient Seal	EPDM WRC listed
Capscrews to Retaining Ring	Stainless Steel BS 6105 Gr A4-80
Worm Gearbox	Miscellaneous
Coating	DN700 to DN 1200 fusion bonded coated to 250 microns DFT. DN1400 and above 2 pack blue epoxy coated to 250 microns DFT.



Glenfield Valves Ltd, Glenfield Works, Queens Drive, Kilmarnock, Scotland, KA1 3XF
Tel: +44 (0) 1563 521150 Fax: +44 (0) 1563 545616 www.glenfield.co.uk

A member of the **AVR** group of companies



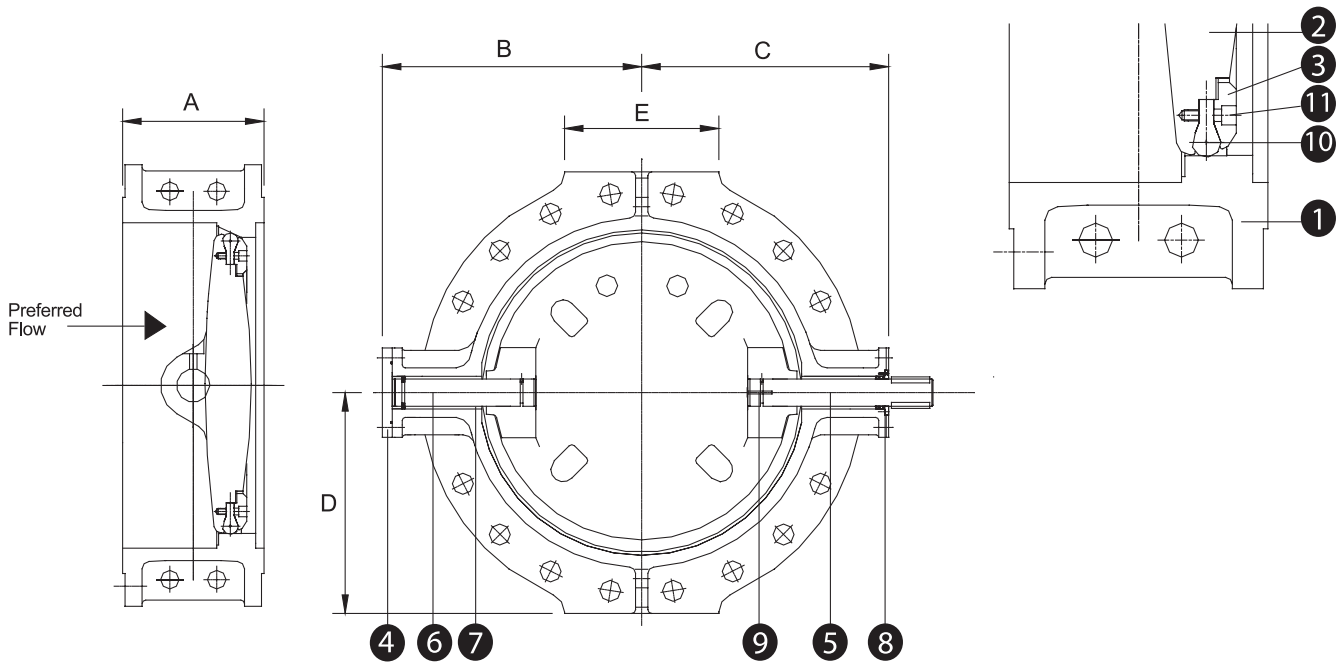
SPECIFICATIONS

Series 756 PN 16 Integral Seat, Resilient Seal Butterfly Valves, 700mm and above

Component List

- | | |
|-------------------|---------------------------------|
| 1. Body | 7. Bushes |
| 2. Door | 8. Seal Housing |
| 3. Retaining Ring | 9. Key |
| 4. End Plate | 10. Resilient Seal |
| 5. Main Shaft | 11. Capscrews to retaining ring |
| 6. Stub Shaft | |

Enlarged View of Seat Area



Dimensions (mm)

Ref Nos. SER.14	DN	A		B	C	D	E	Approx Weight (kg)
		SER.13	SER.14					
756-0700-11400811	700	292	430	545	530	455	320	816
756-0800-11400811	800	318	470	620	600	513	350	1228
756-0900-11400811	900	330	510	690	670	563	400	1292
756-1000-11400811	1000	410	550	770	750	628	450	1704
756-1100-11400811	1100	440	590	820	800	678	490	2300
756-1200-11400811	1200	470	630	855	835	743	520	2599
756-1400-11400811	1400	530	710	1015	995	843	650	4102
756-1600-11400811	1600	600	790	1044	1024	965	700	4293
756-1800-11400811	1800	670	870	1375	1355	1065	800	9033
756-2000-11400811	2000	760	950	1515	1495	1173	900	9358
756-2200-11400811	2200	800	1030	1530	1500	1278	1000	15000