

Concentric butterfly valve, wafer type. Designed according to EN 593, ISO 10631
Face to face dimension to EN 558-1/2 Series 20
Flange connection to ISO 7005-2 (EN 1092-2: 1997, DIN 2501)

Use:

For water and neutral liquids to max. 110°C

Tests:

Hydraulic test according to EN 12266-1, P10/P12
 EN 1074 (for drinking water application)
 Function test: 1 x open/close

Actuation:

Lever
 Wormgear, with handwheel
 Pneumatic actuator (Single/double acting)
 Electric actuator

See separate data sheets

Materials:

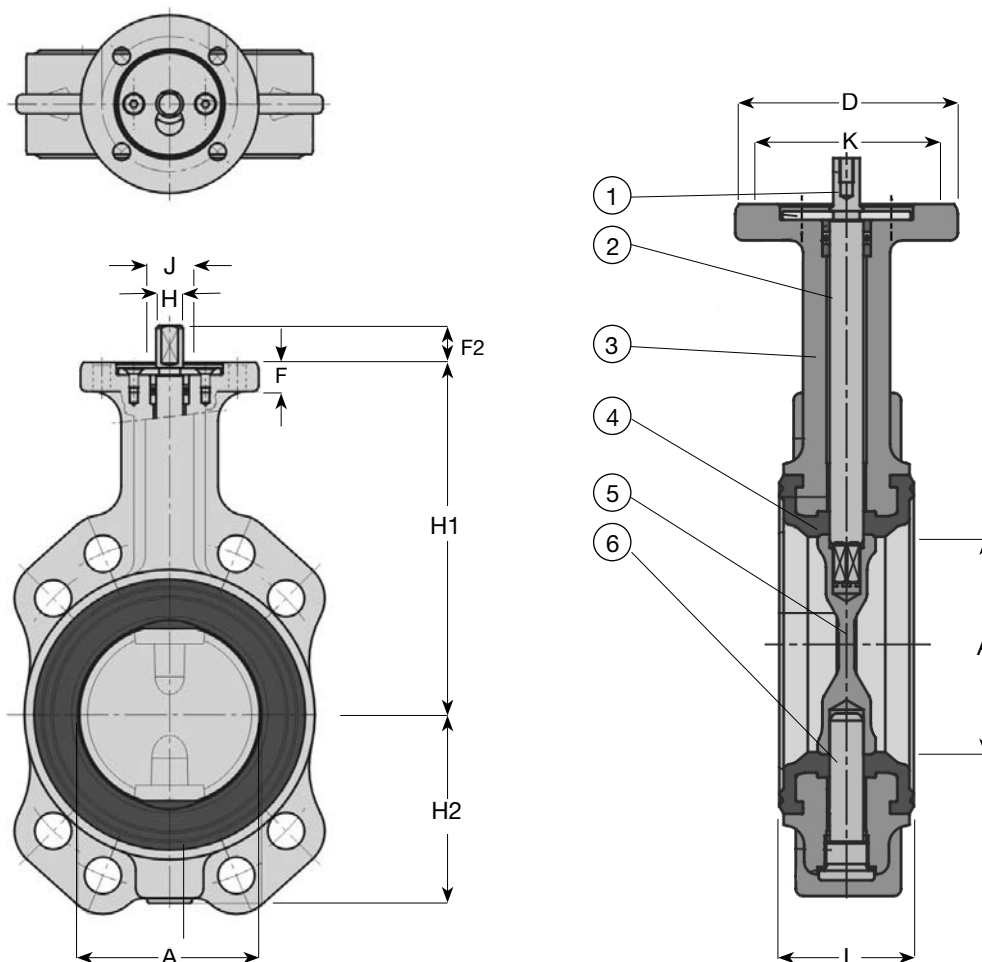
Body	Cast iron, JL 1040, to EN 1561 (BS 1452 grade 250)
External coating	Epoxy
Lining	EPDM
Disc	Nickel plated carbon steel
Shaft	Stainless steel AISI 420 (BS 431S29)
Bearing	Steel/PTFE



Concentric butterfly valve, wafer type. Designed according to EN 593, ISO 10631
 Face to face dimension to EN 558-1/2 Series 20
 Flange connection to ISO 7005-2 (EN 1092-2: 1997, DIN 2501)

Component list

- 1. Shaft
- 2. Bearing
- 3. Body
- 4. Lining
- 5. Disc
- 6. Shaft



Ref. nos.	DN	PN bar	A mm	L mm	H2 mm	H1 mm	F mm	F2 mm	H mm	J mm	K mm	Top flange			ISO 5211	Weight kilos
												D mm	ds mm	Holes		
76-0050-708170026902	50	16	48	43	63	125	12	16	12	18	50	67	7	4	F05	2.5
76-0065-708170026902	65	16	62	46	76	150	12	16	12	18	50	67	7	4	F05	3.0
76-0080-708170026902	80	16	76	46	83	157	12	16	12	18	50	67	7	4	F05	4.0
76-0100-708170026902	100	16	95	52	96	182	15	19	14	22	70	92	9	4	F07	5.0
76-0125-708170026902	125	16	120	56	113	201	15	25	18	22	70	92	9	4	F07	6.0
76-0150-708170026902	150	16	145	56	126	214	15	25	18	30	70	92	9	4	F07	9.0
76-0200-708170026902	200	16	195	60	155	245	18	30	22	30	70	92	9	4	F07	13.0
76-0250-708170013902	250	10	245	68	195	283	20	39	28	38	102	130	11	4	F10	25.0
76-0300-708170013902	300	10	295	78	220	308	20	39	28	38	102	130	11	4	F10	34.0

Bigger sizes on request.

