



Water engineers to the world

Series 853 (1610) Free Discharge Valve, 200mm-2000mm

| Use | | Materials for Construction | |
|--|----------------|----------------------------|--|
| For water and neutral liquids to max. 70°C | | Description | Material |
| | | Valve Body | Ductile Iron BS EN 1563 EN-GJS-500/7 |
| | | Seal Retaining Ring | Ductile Iron BS EN 1563 EN-GJS-500/7 |
| | | Guide Strips | Al. Bronze BS EN 12163 CW307G |
| | | Seals | Nitrile |
| | | Sliding Sleeve | Stainless Steel BS EN 10088 Gr. 1. 4401 |
| | | Shafts | Stainless Steel BS EN 10088 Gr. 1. 4401 |
| | | Operating Screws | Stainless Steel BS EN 10088 Gr. 1. 4401 |
| | | Universal Couplings | Stainless Steel |
| | | Gearboxes | Miscellaneous |
| | | Fasteners | Stainless Steel |
| | | Coating | Internal and external blue two pack epoxy to WIS 4-52-01 Class B |
| Tests | | | |
| Hydraulic tests: | | | |
| Seat: 1.1 x PN | Body: 1.5 x PN | | |
| Optional Extras | | | |
| PN 25 Version | | | |
| Alternative trim materials | | | |
| Applicable Standards | | | |
| Inlet Flange to BS EN 1092-2:PN16. | | | |



Glenfield Valves Ltd, Glenfield Works, Queens Drive, Kilmarnock, Scotland, KA1 3XF
 Tel: +44 (0) 1563 521150 Fax: +44 (0) 1563 545616 www.glenfield.co.uk

A member of the **AVR** group of companies

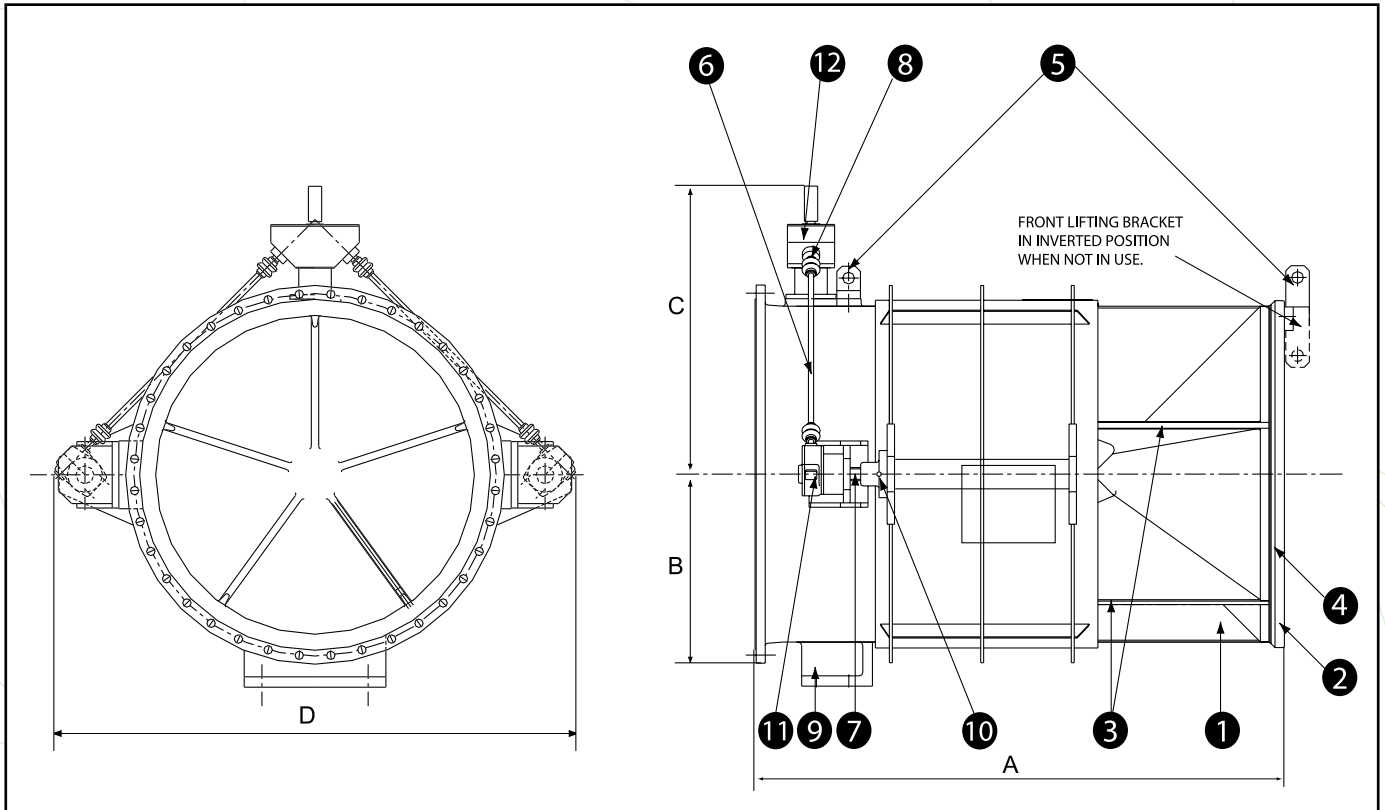


SPECIFICATIONS

Series 853 (1610) Free Discharge Valve, 200mm-2000mm

Component List

- | | |
|------------------------|--------------------------|
| 1. Valve Body | 7. Operating Spindles |
| 2. Seal Retaining Ring | 8. Couplings |
| 3. Guide Strips | 9. Support Foot |
| 4. Seal | 10. Lubricators |
| 5. Lifting Brackets | 11. Worm Gearbox |
| 6. Shafts | 12. Double Bevel Gearbox |



Dimensions (mm)

| Ref Nos. | DN | A | B | C | D | Approx. Weight |
|----------|------|------|------|------|------|----------------|
| 200 | 200* | 613 | 203 | 460 | 430 | 500 |
| 300 | 300* | 762 | 273 | 500 | 600 | 800 |
| 400 | 400 | 1055 | 381 | 600 | 1060 | 1200 |
| 450 | 450 | 1055 | 381 | 600 | 1060 | 1200 |
| 600 | 600 | 1353 | 457 | 680 | 1295 | 1500 |
| 700 | 700 | 1524 | 533 | 780 | 1485 | 1900 |
| 800 | 800 | 1620 | 533 | 780 | 1485 | 2000 |
| 900 | 900 | 1772 | 610 | 830 | 1640 | 2700 |
| 1000 | 1000 | 2025 | 720 | 880 | 1905 | 3800 |
| 1200 | 1200 | 2134 | 838 | 1000 | 2430 | 4500 |
| 1400 | 1400 | 2315 | 916 | 1246 | 2590 | 6000 |
| 1500 | 1500 | 2416 | 1035 | 1150 | 2730 | 7000 |
| 1600 | 1600 | 2562 | 1156 | 1200 | 2760 | 8000 |
| 1800 | 1800 | 2630 | 1245 | 1320 | 2780 | 9500 |
| 2000 | 2000 | 2920 | 1420 | 1460 | 3000 | 11200 |

*DN 200 & DN 300 are Bellcrank operated and not shown in diagram above