

To DIN 3352 part 4
With "Euro" socket ends for uPVC-pipes

Use:

For water, sewage and neutral liquids to max. 70°C

Tests:

Hydraulic test to DIN 3230 part 4:

Seat: PN
Body: 1.5 X PN
Operation torque test

Optional extras:

Handwheel
Extension spindle
Stem cap
Support bush

Materials:

Body and bonnet	Ductile iron, GGG-50, to DIN 1693 (BS 2789 grade 500 - 7)
Coating *)	Electrostatically applied epoxy resin to DIN 30677 - internally and externally
Stem	Stainless steel, DIN X 20 Cr 13
Stem sealing	NBR wiper ring, 2 NBR O-rings inside and 2 outside a plastic bearing, EPDM rubber manchette
Wedge	Ductile iron, GGG-50, core fully vulcanised with EPDM rubber, with integral wedge nut of dezincification resistant brass, CZ 132 to BS 2874
Thrust collar	Dezincification resistant brass, CZ 132 to BS 2872
Bonnet bolts	Stainless steel A2, sealed with hot melt
Bonnet gasket	EPDM rubber
Sockets	Fitted with EPDM rubber "Euro" sealing rings to suit metric uPVC-pipes

*) Also available internally enamelled

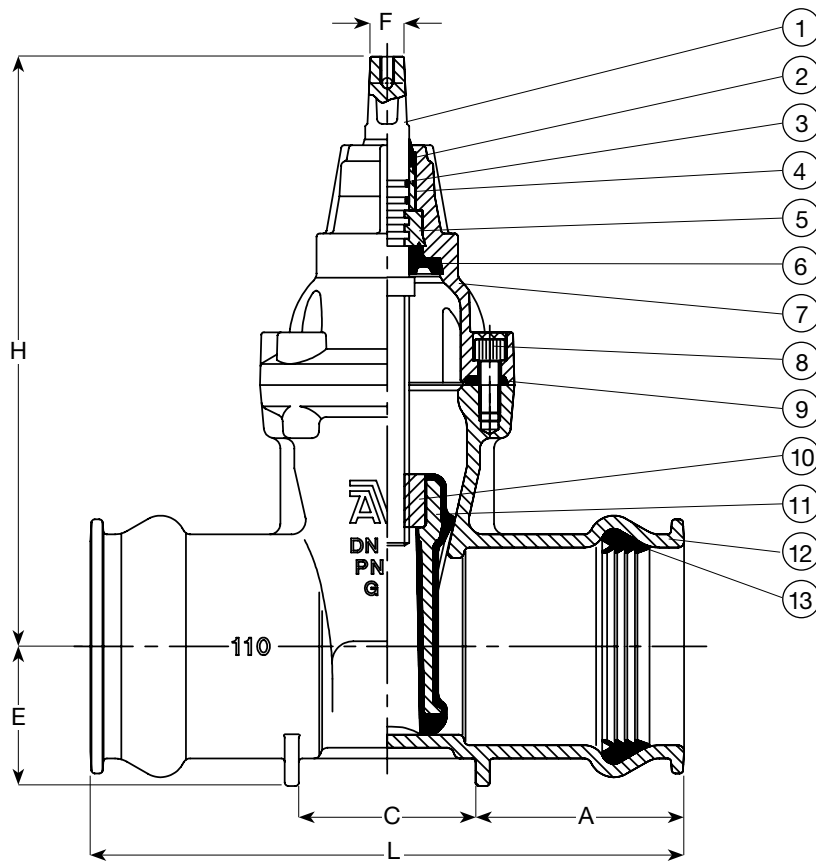


For further specifications, see section "Technical information".
The designs, materials and specifications shown are subject to change without notice due to our continuing programme of product development.

To DIN 3352 part 4
With "Euro" socket ends for uPVC-pipes

Component list

- | | |
|--------------------------|---------------------------------|
| 1. Stem | 8. Bonnet bolt |
| 2. NBR wiper ring | 9. Bonnet gasket |
| 3. NBR O-ring | 10. Wedge nut |
| 4. Bearing | 11. Wedge |
| 5. Thrust collar | 12. Body |
| 6. EPDM rubber manchette | 13. EPDM "Euro" Sealing ring *) |
| 7. Bonnet | |



Ref.nos.	DN	Pipe D.ex. mm	A mm	L mm	H mm	F mm	C mm	E mm	Weight kilos
01-050-80014	40	50	103	270	236	14	64	44	7
01-063-80014*)	50	63	103	286	241	14	80	52	8
01-075-80014*)	65	75	108	298	271	17	82	58	9
01-090-80014*)	80	90	115	315	297	17	85	68	13
01-110-80014	100	110	118	336	334	19	100	79	18
01-125-80014	125	125	115	348	375	19	118	87	24
01-160-80014	150	160	130	400	448	19	140	107	40
01-200-80014	200	200	135	426	562	24	156	130	56
01-225-80014	200	225	151	452	562	24	150	142	58
01-250-80014	250	250	161	474	664	27	152	157	80
01-280-80014	250	280	166	504	664	27	172	174	95
01-315-80014	300	315	172	548	740	27	204	193	123
01-400-80014	400	400	185	596	950	32	226	240	246

*) Socket modified