

**With ISO flange prepared for electric actuator and rising stem
Flanges and drillings to ISO 7005-2 (EN 1092-2: 1997, DIN 2501)**

Use:

For water and waste water, max 70°C

Test:

Hydraulic test:

Seat: 1 x PN
Body: 1.5 x PN

Working pressure and test pressure are listed on back page.

Options:

Body of stainless steel AISI 316
Gaskets of viton (max 260°C), teflon (max 220°C) or EPDM

Operation:

Handwheel, non rising stem (DN 50 - 600)
Handwheel, rising stem (DN 50 - 600)
Quick closing lever (DN 50 - 200)
Pneumatic actuator (DN 50 - 800)
Square stem top for T-key (DN 50 - 300)
Electric actuator (DN 50 - 1500)

Materials:

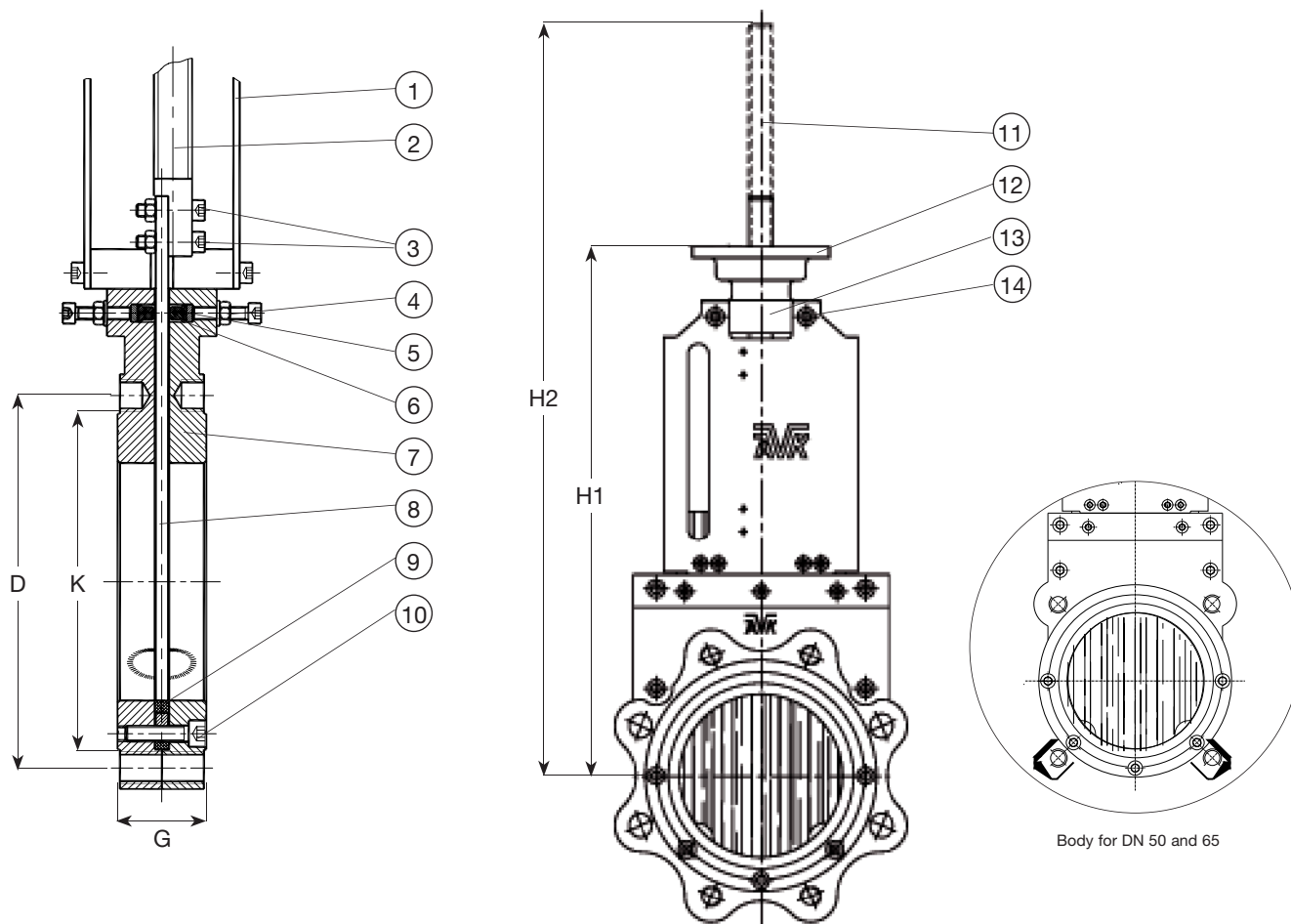
Body	Cast iron, GG-25, to DIN 1691
Coating	UV resistant polyester coating, RAL 5017, min. 150 µ
Stem, gland stud, push rod, gate	Stainless steel AISI 316
Stem nut	Bronze
Body gasket, packing gland	NBR rubber
Column, bearing	Steel st. 52
Bolts, nuts	Stainless steel AISI 316



With ISO flange prepared for electric actuator and rising stem
 Flanges and drillings to ISO 7005-2 (EN 1092-2: 1997, DIN 2501)

Component list:

- | | | |
|-------------------------|----------------|--|
| 1. Column | 6. Packing box | 11. Rising stem |
| 2. Stem | 7. Body | 12. ISO flange (DN 50-300: F10-ISO 5210) |
| 3. Bolt and nut | 8. Gate | 13. Bearing |
| 4. Bolt for packing box | 9. Body gasket | 14. Bolt |
| 5. Push rod | 10. Body bolt | |



AVK ref. nos.	DN	Working pressure	Test pressure	H1 mm	H2 mm	G ± 1 mm	K mm	D mm	Weight kilos	Actuator/flange size	Number of turns for valve	Auma actuator recommended number of turns	Thread Tr. DIN 103
702-050-5013	50	10	16	280	394	43	100	125	8	07.1 / F-10	14	45	18 x 4
702-065-5013	65	10	16	306	436	46	120	145	9	07.1 / F-10	18	45	18 x 4
702-080-5013	80	10	16	332	474	46	135	160	12	07.1 / F-10	21	45	20 x 4
702-100-5013	100	10	16	369	553	52	158	180	14	07.1 / F-10	26	45	20 x 4
702-125-5013	125	10	16	409	599	56	188	210	16	07.1 / F-10	33	45	20 x 4
702-150-5013	150	10	16	487	710	56	212	240	25	07.5 / F-10	31	45	24 x 5
702-200-5013	200	8	14	589	862	60	268	295	35	07.5 / F-10	41	45	24 x 5
702-200-5003	200	8	14	589	862	60	268	295	35	07.5 / F-10	41	45	24 x 5
702-250-5013	250	8	14	690	1019	68	320	350	58	10.1 / F-10	51	45	24 x 5
702-250-5003	250	8	14	690	1019	68	320	350	58	10.1 / F-10	51	45	24 x 5
702-300-5013	300	6	10	811	1211	78	370	400	70	10.1 / F-10	61	45	28 x 5
702-300-5003	300	6	10	811	1211	78	370	400	70	10.1 / F-10	61	45	28 x 5